

Unicast Diverter Valves Inline Maintenance. Less Downtime.

Unicast Diverter Valves set the standard for inline maintenance and durability, providing cost savings and minimized downtimes for cement plants around the world.

Right-Left Convertibility:

Designed with a shaft hole on either side of the valve for quick and easy reconfiguration. One valve, two directions

Here's how:

Large Access Panel:

Inline maintenance within 4 hours. Easily replace wearing parts, such as the gate and seat, without a crane, hoist, or lift. Less downtime

Features **SEW Euro-Drive electric gear motors**. Also available with pneumatic or hydraulic actuators



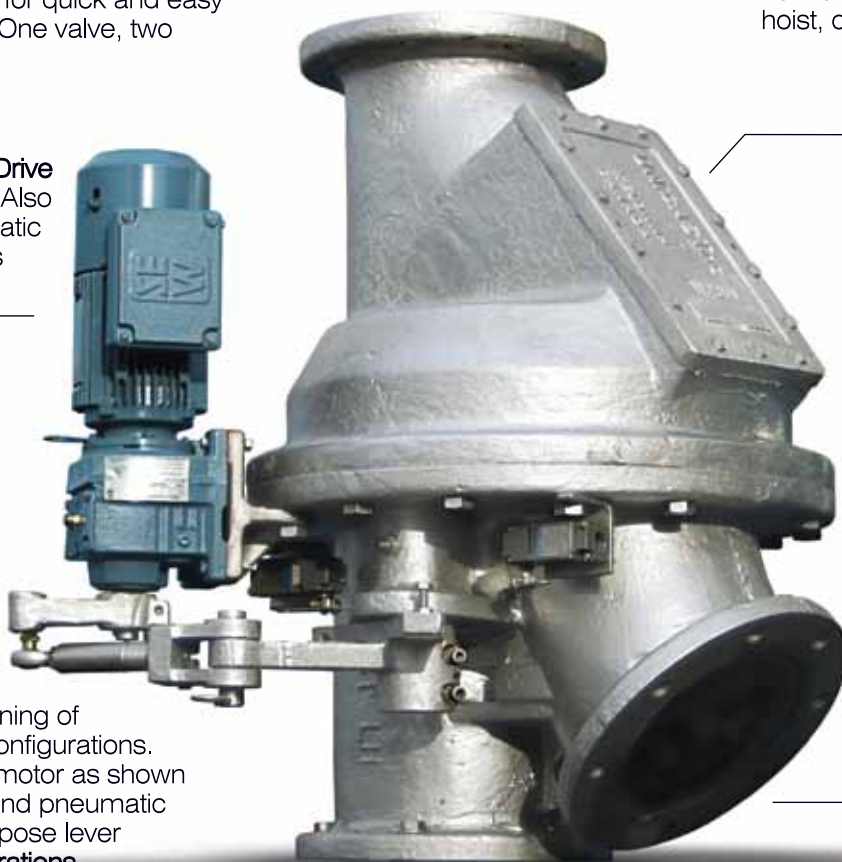
One-Piece Seat:

Precision alignment between the gate and seat for a perfect seal. Easy to maintain, reduced chance of leakage, zero installation error



Delta Wing:

Ensures exact positioning of the lever in manual configurations. Adapts electric gear motor as shown as well as hydraulic and pneumatic actuators--1 multipurpose lever for **3 different configurations**



(Left-Hand Valve Configuration Shown in Picture)

Tested and Proven Worldwide Since 1994

Ceramic Liners:

High-wear areas are lined with 1/2" thick cast ceramic liners. Expected wear life of 25 years. Built to Last



New Feature!

30-Degree and 45-Degree Angled Outlets Available:

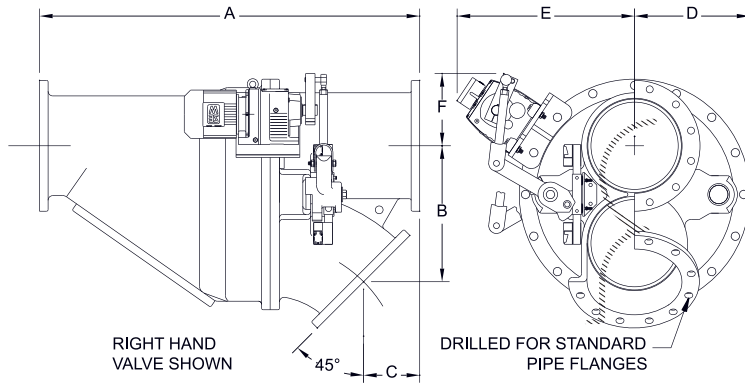
Endless configurations for maximum flexibility and adaptability.

Cast Arm + Belleville Washers:

Zero vertical shaft movement plus durable Belleville Washers reduce opportunity for corrosion and contamination

Wearpart Solutions for the Mining and Cement Industries
www.unicast.ca

UNICAST inc.



PART NUMBER	SIZE	A	B	C	D	E	F	WEIGHT
U2501	4"	24.00"	8.31"	3.43"	8.00"	13.71"	10.88"	550 Lbs
	102mm	610mm	211mm	87mm	203mm	348mm	276mm	250 Kg
U2751	5"	27.87"	11.25"	4.13"	8.62"	14.50"	10.00"	590 Lbs
	127mm	708mm	286mm	105mm	219mm	368mm	254mm	268 Kg
U2401	6"	29.00"	10.75"	5.25"	10.00"	17.31"	9.09"	627 Lbs
	152mm	737mm	273mm	133mm	254mm	440mm	231mm	285 Kg
U2301	8"	36.00"	13.70"	5.25"	12.50"	20.33"	10.25"	748 Lbs
	203mm	914mm	348mm	133mm	318mm	516mm	260mm	340 Kg
U2081	10"	40.00"	17.00"	7.12"	14.75"	22.18"	10.60"	1078 Lbs
	254mm	1016mm	432mm	181mm	375mm	563mm	269mm	490 Kg
U2051	12"	46.00"	18.62"	7.00"	16.75"	24.34"	10.60"	1375 Lbs
	305mm	1168mm	437mm	178mm	425mm	618mm	269mm	625 Kg
U2351	14"	61.00"	21.81"	9.00"	18.50"	28.78"	12.31"	2387 Lbs
	356mm	1549mm	554mm	229mm	470mm	731mm	313mm	1085 Kg
U2801	16"	62.50"	24.25"	8.50"	21.00"	30.37"	13.13"	2860 Lbs
	406mm	1588mm	616mm	216mm	533mm	771mm	334mm	1300 Kg

You May Also Need:

- ✓ Spare Parts Kit: Gate, Seat
- ✓ Bolt Kit: Spare Metric Bolts, Seals, and Keys
- ✓ Ceramic-Lined Elbows and Pipe Segments

Crusher Parts

Hammers & Breaker Blocks

Apron Feeder Pans

Chute Liners

Mill Liners

Partition Grates

Cyclone Thimble Segments

Nose & Feed Ring Segments

Drag Chains

Clinker Breaker Hammers

Grizzly Panels

Clinker Cooler Grates

Shut-Off Valves

Diverter Valves

Sales Office and Plant CANADA

871 Stremel Road
Kelowna, BC Canada V1X 5E6
Tel: (250) 807-7999
Fax: (250) 807-7990
wearparts@unicast.ca
www.unicast.ca

Sales Office USA

2923 Robin Hood Lane
Fayetteville, AR USA 72703
Tel: (479) 444-1900
Fax: (479) 444-9838
jim@unicast.ca

Sales Office MEXICO

sales@unicastmexico.com
www.unicastmexico.com