

# Unicast Shut-Off Valves

## Total Protection in Abrasive Environments

Specifically designed for positive shut-off of abrasive media in pneumatic conveying lines, this valve represents a natural evolution of the same technology which has made the Unicast Diverter Valve a standard in many plants throughout the world.

**Easy Inline Maintenance:** A large access panel allows for easy inline replacement of the gate and seat. Less downtime. Lower costs.

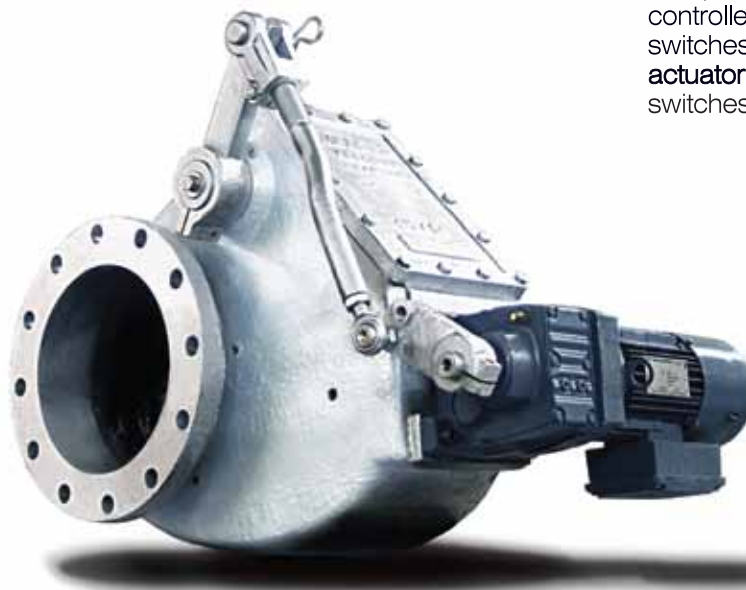


One-piece high chrome iron seats and liners provide total protection in abrasive environments installed on both inlet and outlet sides.

**Stepped Shaft for Quick Gate Replacement:** A unique stepped shaft provides rigid placement of the internal lever which has a new tension adjustment to allow replacement of the gate in minutes. Shaft is sealed and lubricated with proven technology.

Shut-Off Valve with Pneumatic Actuator

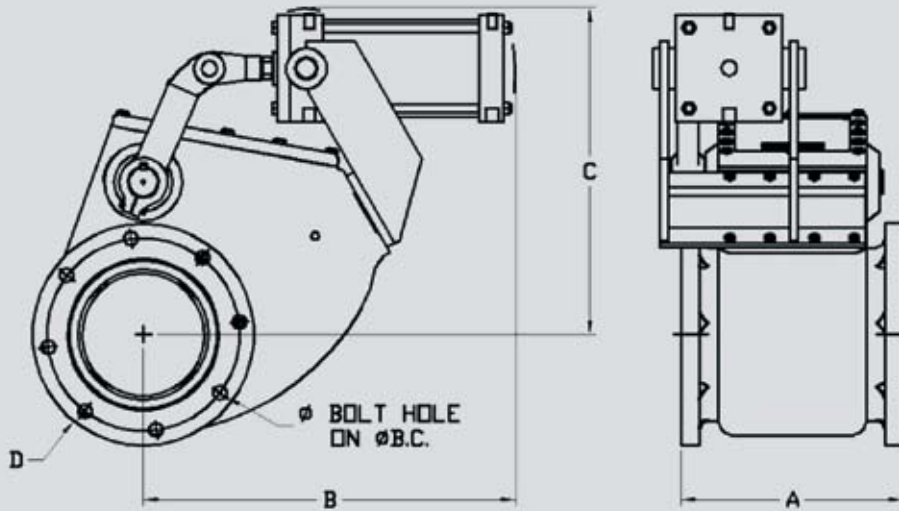
Provided with **pneumatic actuator** complete with single solenoid controller and reed type limit switches. **Electric gear motor actuator** also available with limit switches.



**Standard Flange-to-Flange Dimensions:** Compact design fits into same flange spacing as other popular brands, making the switch to Unicast Shut-Off Valves easy.

**Right-Left Convertibility:** One valve, two directions.

Shut-Off Valve with Electric Gear Motor Actuator



PART NUMBER	SIZE	# of Bolt Holes	Bolt Hole Diameter	Bolt Base Circle	A	B	C	D	WEIGHT
U2551-P	4"	8	0.75"	7.50"	9.80"	19.50"	14.00"	9.00"	245 Lbs
	100mm		19.05mm	191mm	249mm	495mm	356mm	229mm	111 Kg
U2651-P	6"	8	0.88"	9.50"	11.00"	20.00"	15.00"	11.00"	310 Lbs
	150mm		22.35mm	241mm	279mm	508mm	381mm	279mm	141 Kg
U2901-P	8"	8	0.88"	11.75"	14.00"	22.60"	20.00"	13.50"	440 Lbs
	200mm		22.35mm	299mm	356mm	574mm	508mm	343mm	200 Kg
U2451-P	10"	12	1.0"	14.25"	15.00"	37.50"	23.00"	16.00"	780 Lbs
	250mm		25.4mm	362mm	381mm	953mm	584mm	406mm	354 Kg
U2701-P	12"	12	1.0"	17.00"	15.00"	39.00"	26.00"	19.00"	970 Lbs
	300mm		25.4mm	432mm	381mm	991mm	660mm	483mm	440 Kg

You May Also Need:

- ✓ Spare Parts Kit: Gate, Seat
- ✓ Bolt Kit: Spare Metric Bolts, Seals, and Keys
- ✓ Ceramic-Lined Elbows and Pipe Segments

**Crusher Parts**

Hammers & Breaker Blocks

Apron Feeder Pans

Chute Liners

Mill Liners

Partition Grates

Cyclone Thimble Segments

Nose & Feed Ring Segments

Drag Chains

Clinker Breaker Hammers

Grizzly Panels

Clinker Cooler Grates

Shut-Off Valves

Diverter Valves

Sales Office and Plant CANADA

871 Stremel Road  
Kelowna, BC Canada V1X 5E6  
Tel: (250) 807-7999  
Fax: (250) 807-7990  
wearparts@unicast.ca  
www.unicast.ca

Sales Office USA

2923 Robin Hood Lane  
Fayetteville, AR USA 72703  
Tel: (479) 444-1900  
Fax: (479) 444-9838  
jim@unicast.ca

Sales Office MEXICO

sales@unicastmexico.com  
www.unicastmexico.com